

高效率鋸切！穩定！精準！

High Efficiency Cutting ! Maximum Stability ! High Accuracy

280HA

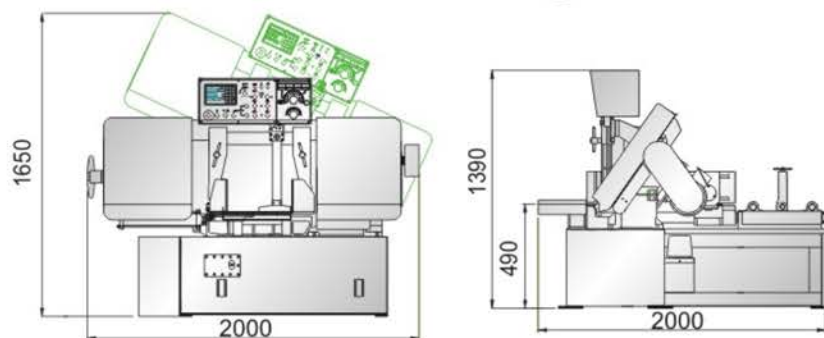


280HA 專用

- 手動鋸帶張力調整裝置。
- 鋸帶斷裂檢知開關。
- Manual blade tension adjustment device.
- Blade breakage sensor.

Dimensional Drawing

Unit: mm



Specifications

MODEL		280HA	
Capacity	<input type="checkbox"/>	240 x 270 mm	
	<input type="radio"/>	270 mm	
Blade	Speed	50 Hz	20-80 m/min
		60 Hz	-
	Size	1.1 x 34 x 3505 mm	
Motor	Sawblade	3 HP	
	Hydraulic	1 HP	
	Cooling	1/8 HP	
	Chip Conveyor	1/8 HP	
Floor Space (W x L X H)		2000 x 2000 x 1650 mm	
Machine Weight		1300 kgs	

· 規格尺寸如有變更，恕不另行通知。
 · Above specifications are subject to change without prior notice.

一部匠心獨運的帶鋸機

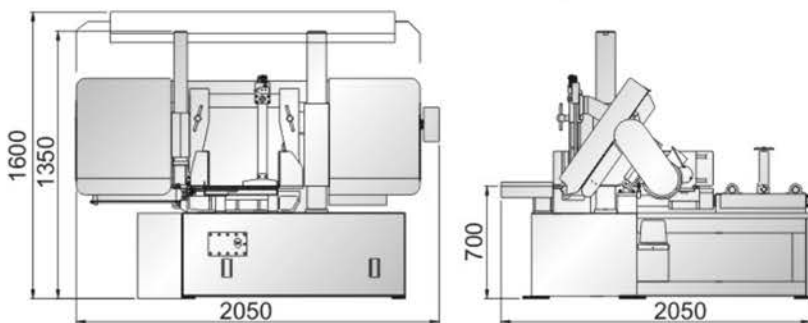
A State-Of-The-Art Band Saw With Extra Value.

320HL



Dimensional Drawing

Unit: mm



Specifications

MODEL		320HL	
Capacity			320 x 330 mm
			320 mm
Blade	Speed	50 Hz	20-80 m/min
		60 Hz	-
	Size	1.1 x 34 x 3940 mm	
Motor	Sawblade	5 HP	
	Hydraulic	1 HP	
	Cooling	1/8 HP	
	Chip Conveyor	1/8 HP	
Floor Space (W x L X H)		2050 x 2050 x 1600 mm	
Machine Weight		1750 kgs	

· 規格尺寸如有變更，恕不另行通知。

· Above specifications are subject to change without prior notice.

先進設計！操控簡易！

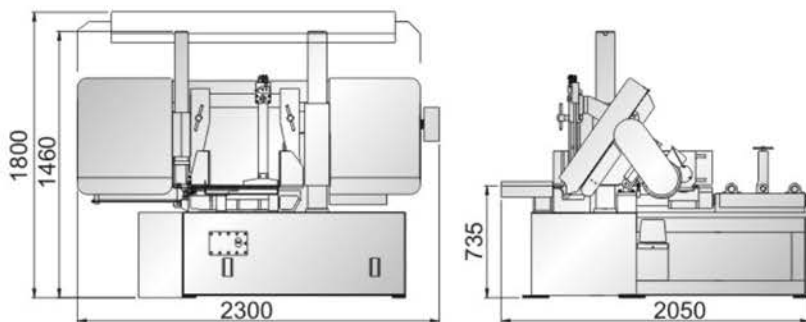
Advanced Design! Easy To Operate!

400HL





Dimensional Drawing

Unit: mm



Specifications

MODEL		400HL	
Capacity		400 x 420 mm	
		400 mm	
Blade	Speed	50 Hz	20-80 m/min
		60 Hz	-
	Size	1.1 x 34 x 4585 mm	1.3 x 41 x 4585 mm
Motor	Sawblade	5 HP	7.5 HP
	Hydraulic	2 HP	
	Cooling	1/8 HP	
	Chip Conveyor	1/8 HP	
Floor Space (W x L X H)		2300 x 2050 x 1800 mm	
Machine Weight		1900 kgs	

· 規格尺寸如有變更，恕不另行通知。
 · Above specifications are subject to change without prior notice.

物超所值的新一代帶鋸機

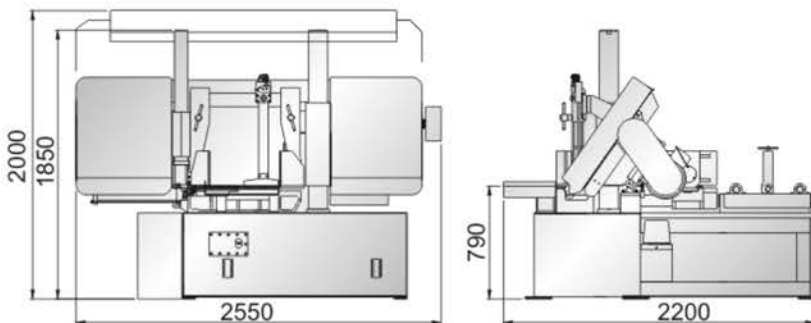
A New Generation Band Saw for Extra Value

460HL



Dimensional Drawing

Unit: mm



Specifications

MODEL		460HL	
Capacity	<input type="checkbox"/>	460 x 470 mm	
	<input type="radio"/>	460 mm	
Blade	Speed	50 Hz	20-80 m/min
		60 Hz	-
	Size	1.3 x 41 x 5250 mm	
Motor	Sawblade	7.5 HP	
	Hydraulic	2 HP	
	Cooling	1/8 HP	
	Chip Conveyor	1/8 HP	
Floor Space (W x L X H)		2550 x 2200 x 2000 mm	
Machine Weight		2500 kgs	

· 規格尺寸如有變更，恕不另行通知。

· Above specifications are subject to change without prior notice.

優異特性 FEATURES

- 簡易、精密的長度設定
- 碳化鎢導塊
- 鋸帶斷裂檢知
- 油壓鋸帶張力控制
- 變頻器速度控制
- 自動切屑螺桿

- Easy and precise length setting.
- Tungsten carbide blade guide.
- Blade breakage sensor.
- Hydraulic blade tension control.
- Speed control by frequency inverter.
- Automatic chip auger.



精準的鋸切長度設定

具有突破性設計的長度設定，提供更精準，更簡易的操作。操作者只需輸入所需的長度，電腦將自動判讀，並自動尋找正確尺寸。

Accurate Length of Cut Setting

The innovative design of length setting provides more accurate and easier operation.

The operator simply enters his desired length, then the computer will check automatically and search for the correct size.



獨創性位置轉換器（直線式）

獨創的長度設定系統，精準，穩定，且使用壽命長。

Unigue Direct Transducer(Linear Type)

The unigue length setting device features high accuracy, high stability and long service life.



電控箱

- 採用PC板與高級電子元件組成，提供可靠的控制性能，使用壽命長。
- 電控迴路完善規劃，維修保養方便。

Control Circuit

- The control circuit consists of PC board and high quality electronic parts, providing maximum dependability of control performance and long service life.
- The control circuit is well planned for added convenience of maintenance.



凸輪式碳化鎢導鋸(280HA 除外)

全系列機種採用碳化鎢導塊以導引鋸帶，確保最佳直線精度與鋸帶之穩定性。

Cam Type Tungsten Carbide Blade Guide (280HA Excluded)

The full series of machine employs tungsten carbide block for guiding the band blade, assuring outstanding straightness accuracy and stability of the blade.



油壓鋸帶張力自動控制裝置(280HA 除外)

- 本機採用油壓式鋸帶張力自動控制，使鋸帶隨時保持在最佳張力狀態。
- 鋸帶附斷裂檢知開關，確保安全。

Hydraulically Operated Blade Tension Control (280HA Excluded)

- The machine employs a hydraulically operated blade tension control, that keeps the blade at the best tension conditions at all times.
- Equipped with blade breakage sensor for safety protection.



高性能變頻器
High quality
frequency
inverter



- 變頻馬達驅動，配合高效率皮帶傳動。
- 皮帶更換快速方便。
- Frequency inverted motor drive combined with high efficiency belt transmission.
- Belt change is fast and convenient.



自動切屑
輸送螺桿
Automatic
chip auger.



- 電線保護軟管
- 曲手保護裝置
- Cable protection cover
- Crank arm protection device

選購配備 OPTIONAL EQUIPMENT

標準配備 STANDARD ACCESSORIES

- 無段夾鉗壓力。
- CE 機型。
- Variable vise pressure.
- CE conformity machine.



- 工具箱。
Tool box.



- 滾輪式料架。
Roller stock table.